



# TIONG WOON OFFSHORE PTE. LTD.

-A member of Tiong Woon Corporation Holding Ltd-

## Tiong Woon 32

### Flat Top Deck Cargo & Ballast Tank Barge



#### GENERAL PARTICULARS

Flag	:	Singapore
Class	:	ABS
Year Built	:	2008
Notation	:	✠ A1, Barge
Harbourcraft License	:	SC 4342J

#### PRINCIPAL DIMENSIONS

Length Moulded	:	250 ft (73.18)
Breadth Moulded	:	80 ft (24.38m)
Depth Moulded	:	16 ft (4.88m)
Design Draft	:	3.62m
GRT / NRT	:	2305 / 691
Deck Strength	:	20 Tons/m <sup>2</sup>
Deadweight	:	Approx. 4,995 Tons
No. of Compartments	:	24 Watertight Compartments
No. of Bulkheads	:	2 Longitudinal & 7 Transverse

Specifications are believed to be correct but not guaranteed. Updated on 12<sup>th</sup> September 2019

Page 1 of 3

**Tiong Woon Offshore Pte. Ltd.**  
Co. Reg. No. 200304922M  
No 15 Pandan Crescent, Singapore 128470  
Tel: (65) 62617888 Fax: (65) 6777 4544

**Tiong Woon Corporation Holding Ltd**  
(Group Head Office)  
Co. Reg. No. 199705837C  
No 15 Pandan Crescent, Singapore 128470  
Tel: (65) 6261 7888 Fax: (65) 6777 4544  
Crane & Transport Booking Hotline: (65) 6777 8882  
Email: enquiry@tiongwoon.com  
Webpage: www.tiongwoon.com



### Tiong Woon 32

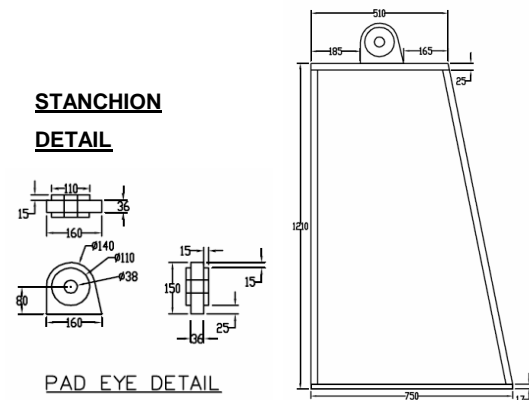
### Flat Top Deck Cargo & Ballast Tank Barge

#### DECK EQUIPMENT

Anchor	:	1 x 1,050kg stockless anchor
Anchor Winch	:	1 set of 10 Tons capacity hand winch c/w one length of 28mm diameter 240 ft galvanized wire rope
Towing Brackets	:	2 Smits type towing pads at bow and aft of the barge
Navigation Light Stands	:	3 units
Stanchions	:	20 ports / 20 starboard

#### SCANTLING

Deck Plating	:	16mm
Bottom Plating	:	12mm
Side Shell Plating	:	14mm





# TIONG WOON OFFSHORE PTE. LTD.

-A member of Tiong Woon Corporation Holding Ltd-

## Tiong Woon 32

### Flat Top Deck Cargo & Ballast Tank Barge

