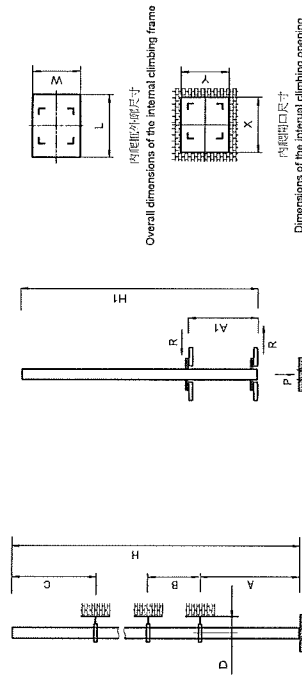


● 工作狀態支反力 In service reaction  
 ○ 總重量(不含平衡重及球) Total weight of free standing crane (excludes counter weight & ballast)



桁架高度 Mast (m)	A (m)	B (m)	C (m)	D (m)	H (m)
H280GX	48	36	48	>5.0	160 >150*
H280GX1	48	36	48	>5.0	180 >150*

桁架高度 Mast (m)	H1 (m)	A1 (m)	P (t)	R (t)	X (m)	Y (m)	L (m)	W (m)
H280GX	*	*	*	*	*	*	*	*
H280GX1	*	*	*	*	*	*	*	*

桁架高度 Number of tie collars = (H-A-C)/B+1  
 起吊100噸時，桁架高度約，請與公司聯繫。  
 Load should be reduced when the height exceeds 100m. Please contact Yongmao for details.

主要性能參數 Specifications

機群 Mechanism	轉速		轉矩 t	轉速	轉矩 t	轉速	轉矩 t	轉矩	轉矩
	min/min	min/min							
64: 200LFV160DBA	0-36	0-18	32.0	0-18	64.0	0-36	0-18	1100m	16S
	0-50	0-25	20.0	0-25	40.0	0-36	0-18	>1100m*	
	0-72	0-36	12.0	0-36	24.0				
501: 160LFV125DB	0-32	0-16	25.0	0-16	50.0	0-32	0-16	900m	16S
	0-38	0-19	20.0	0-19	40.0	0-32	0-16	>900m*	
	0-64	0-32	8.0	0-32	16.0				
240PV33				0-25	min/min				24
15RFQV				0-0.4	rpm				2415
RT									*

電壓 Voltage 50Hz  
 380V (±10%)  
 160LFV125DB : 270  
 200LFV160DBA : 320  
 IMA  
 \* 與總重量聯繫 Contact us, please.  
 \* 與總重量聯繫 Standard configuration.

本技術參數不受法律約束，技術數據請詳見相應說明書。  
 These specifications and data are not legally binding. For any technical information, please refer to corresponding instructions.



YONGMAO HOISTING LIMITED



YONGMAO HOISTING LIMITED