

TWEE 長運

TIONG WOON ENTERPRISE PTE. LTD.

NO. 15 PANDAN CRESCENT, SINGAPORE 128470

REGN. NO. 199100387H

TEL: 6261 7888 FAX: 6777 4544

Email: enquiry@tiongwoon.com

Website: www.tiongwoon.com



TWRT25越野轮胎起重机

TWRT25 Rough Terrain Crane

徐州工程机械集团有限公司

XUZHOU CONSTRUCTION MACHINERY GROUP

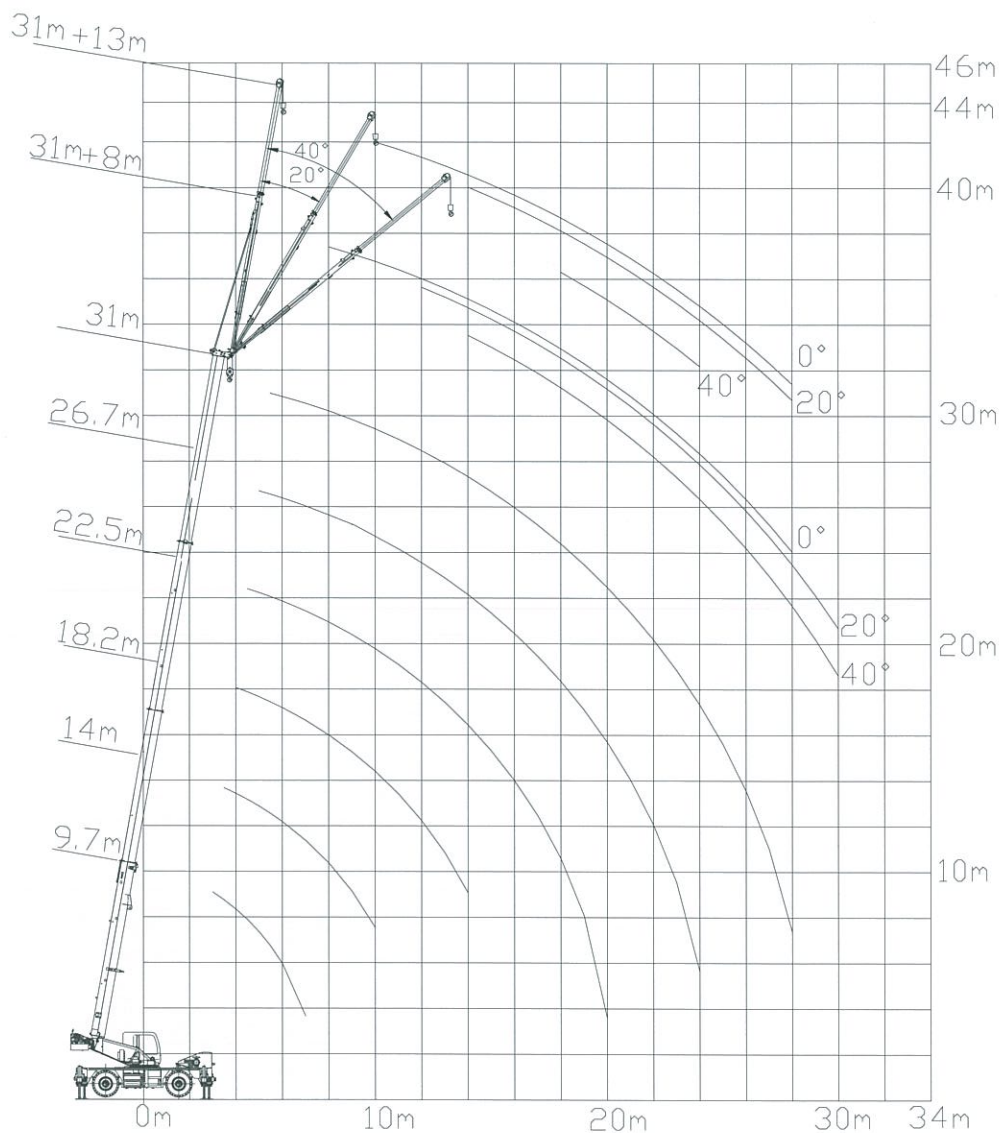
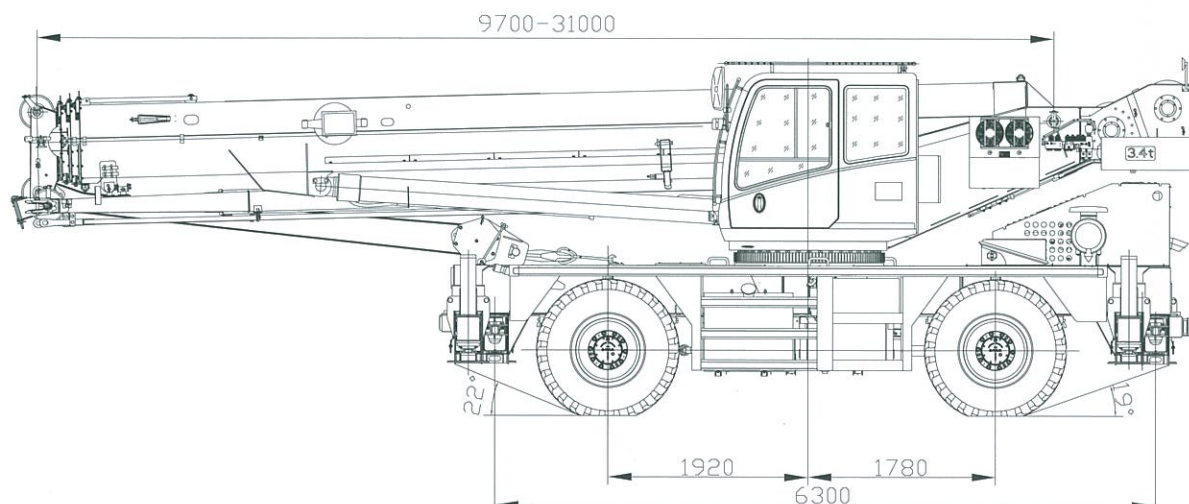
行驶状态主要技术参数表 Main technical data in travel configuration

尺寸参数Dimension	单位Unit	参数Parameter	允差范围Allowance
整机全长Overall length	mm	11703	± 1%
整机全宽Overall width	mm	2700	- 1% ~ 0
整机全高Overall height	mm	3385	- 1% ~ 0
轴距Wheel base	mm	3700	± 1%
轮距(前/后) Track (front/rear)	mm	2200	± 1%
前悬/后悬Front/rear overhang	mm	1601/1867	± 1%
前伸/后伸Front/rear extension	mm	4484/51	± 1%
重量参数Weight			
整备质量Kerb mass	kg	26300	± 3%
行驶参数Travel			
最高行驶速度Max. travel speed	km/h	50	± 3 km/h
最小转弯半径Min. turning radius	m	5 (四轮), 8.3 (两轮) 5 (4 wheels), 8.3 (2 wheels)	± 3%
最小离地间隙Min. ground clearance	mm	345	± 1%
接近角Approach angle	°	22	± 1°
离去角Departure angle	°	19	± 1°
制动距离(制动初速度为24km/h) Braking distance (at 24 km/h)	m	9	≤
最大爬坡度Max. grade-ability	%	55	≥
动力参数Power			
发动机型号Engine model		QSB6.7	
发动机额定功率Rated engine power	kW	142	
发动机额定转速Engine rated rotation speed	r/min	2200	
发动机排放标准Engine emission standard		非道路三阶段 EU Stage III	
驱动型式 Driving type		4 × 2, 4 × 4	
轮胎规格Tire specifications		14.00R25	
轮胎数Number of tires		4	

起重机作业状态主要技术参数表 Main technical data for lifting operation

主要性能参数Main performance		单位Unit	参数Parameter	允差范围Allowance	
最大额定总起重量Max. rated lifting capacity		t	25	± 5%	
最小额定幅度Min. rated working radius		m	3	± 1%	
转台尾部回转半径 (平衡重) Slewing radius at turntable tail (at counterweight)		mm	3698	± 1%	
支腿距离Outrigger span	纵向Longitudinal	m	6.3	± 1%	
	横向(全伸/半伸)Lateral (fully/half extended)	m	6.3/4.8	± 1%	
起重臂长度 Boom length	基本臂Base boom	m	9.7	± 1%	
	最长主臂Fully-extended boom	m	31	± 1%	
	副臂Jib	M	13	± 1%	
	最长主臂+副臂Fully-extended boom + Jib	m	44	± 1%	
工作速度Working speed					
主臂起臂时间Time for boom raising		s	75	≤	
主臂全伸时间Time for boom extending fully		s	100	≤	
最大回转速度Max. slewing speed		r/min	2.0	≥	
支腿收放时间 Outrigger extending/ retracting time	水平支腿 Outrigger beam	同时放Simultaneously extending	s	35	≤
		同时收Simultaneously retracting	s	30	≤
	垂直支腿 Outrigger jack	同时放Simultaneously extending	s	45	≤
		同时收Simultaneously retracting	s	35	≤
起升速度(空载四层) Hoisting speed (at 4th layer, no load)	主起升机构Main winch	m/min	120	≥	
	副起升机构Auxiliary winch	m/min	120	≥	

整机外形



起升高度曲线 (腹置副臂) (loading curve)

Load chart with outrigger

3.4t counter weight; Fully extended outrigger 360° working						
R/L	9.7	14	18.2	22.5	26.7	31
3	25*					
3.5	25*	19.5				
4	24*	19.5	16			
4.5	22.2*	18.5	16	12.8		
5	20.2*	17.5	16	12.8	9	
5.5	18.2	17.5	15.2	12	8	7.5
6	16.5	16.6	14.3	11.5	8	7.5
7	13.8	13.7	12.5	10.5	8	7.2
8		11	11	9.5	7.5	7
9		9	9.3	8.5	7.1	6.5
10		7.5	7.8	7.5	6.5	5.9
12			5.6	5.8	5.6	5
14			4.2	4.4	4.5	4.2
16				3.5	3.6	3.7
18				2.8	2.8	2.8
20				2.2	2.3	2.3
22					1.8	1.9
24					1.5	1.5
26						1.2
28						1
Hook	20t hook (195kg)					
Reeving	7	7	6	5	4	3

Load chart with outrigger

* need optional 25t hook with 10 reevings

3.4t counter weight; Half extended outrigger 360° working						
R/L	9.7	14	18.2	22.5	26.7	31
3	25*					
3.5	25*	19.5				
4	24*	19.5	16			
4.5	22.2*	18.5	16	12.8		
5	18	17.5	16	12.8	9	
5.5	14.7	15.5	15.2	12	8	7.5
6	12.4	13.1	13.4	11.5	8	7.5
7	9.1	9.8	10.1	10.3	8	7.2
8		7.7	8	8.2	7.5	7
9		6.2	6.5	6.7	6.8	6.5
10		5.2	5.4	5.6	5.7	5.8
12			3.9	4.1	4.2	4.3
14			2.9	3.1	3.2	3.3
16				2.4	2.5	2.6
18				1.9	2	2
20				1.5	1.6	1.6
22					1.2	1.3
24					1	1.1
26						0.8
28						
Hook	20t hook (195kg)					
Reeving	7	7	6	5	4	3

Tyre lifting chart (No Driving)

3.4t counterweight, tyre, no driving				
R/L	9.7	14	18.2	22.5
3	10.8			
3.5	9.4	9.8		
4	8.2	8.6	8.8	
4.5	6.8	7.3	7.9	7.7
5	5.6	6.1	6.4	6.6
5.5	4.8	5.2	5.5	5.6
6	4.1	4.5	4.8	4.9
7	3	3.5	3.7	3.8
8		2.7	2.9	3.1
9		2.1	2.3	2.5
10		1.7	1.9	2
12			1.3	1.4
14			0.8	0.9
Hook	20t Hook (195kg)			
Reevings	4	3	3	3

Tyre, lifting chart (Speed ≤ 2km/h, Load distance from ground ≤ 200mm)

3.4t counterweight Drive with load (speed ≤ 2km/h)				
R/L	9.7	14	18.2	22.5
3	8.9			
3.5	7.7	8.1		
4	6.6	7.1	7.3	
4.5	5.8	6.2	6.5	6.6
5	5	5.5	5.7	5.9
5.5	4.2	4.7	4.9	5
6	3.6	4	4.2	4.4
7	2.7	3.1	3.3	3.4
8		2.4	2.6	2.7
9		1.9	2.1	2.2
10		1.5	1.7	1.8
12			1.1	1.2
14			0.7	0.8
Hook	20t Hook (195kg)			
Reevings	4	3	3	3

Jib Loading chart

Outrigger fully extended, counterweight 3.4t												
Radius	Main boom 31m+Jib 8m						Main boom 31m+Jib 13m					
	0°		20°		40°		0°		20°		40°	
	Load	Height	Load	Height	Load	Height	Load	Height	Load	Height	Load	Height
8	2.8	37.4										
10	2.8	36.8					2.2	42				
12	2.7	36	2.1	35.7			1.9	41.4				
14	2.4	35.1	2	34.8	1.8	33.6	1.6	40.6	1.4	40		
16	2.1	34.1	1.8	33.7	1.75	32.5	1.5	39.7	1.3	39.2		
18	2	33	1.65	32.6	1.6	31.3	1.35	38.7	1.2	38.1	1	36.3
20	1.8	31.6	1.6	31.2	1.55	29.8	1.2	37.6	1.2	37	0.95	35.1
22	1.6	30.1	1.5	29.7	1.5	28.2	1.05	36.3	1.1	35.7	0.9	33.7
24	1.5	28.4	1.4	27.9	1.45	26.4	1	34.9	0.95	34.2	0.85	32.2
26	1.3	26.4	1.3	25.9	1.4	24.2	0.95	33.2	0.9	32.6		
28	1.1	24.1	1.2	23.5	1.2	21.7	0.9	31.4	0.8	30.7		
30			0.9	20.7	1	18.6						
Main boom angle°	42.8-78		40.7-75.7		41.9-75.5		49.9-77.2		55.1-77.3		66.1-76	
Hook	2.8t hook (71kg)											

徐工徐工 助您成功
XCMG FOR YOUR SUCCESS



越野轮胎起重机
CASE
施工范例





徐工徐工 助您成功
XCMG FOR YOUR SUCESS



TIONG WOON ENTERPRISE PTE. LTD.
NO. 15 PANDAN CRESCENT, SINGAPORE 128470
REGN. NO. 199100387H
TEL: 6261 7888 FAX: 6777 4544