

CE FEM

Topless

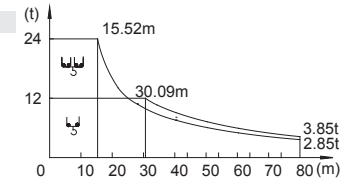
V 3.0-06012012

0 0  
1 1  
5 6

載荷表 Load Chart

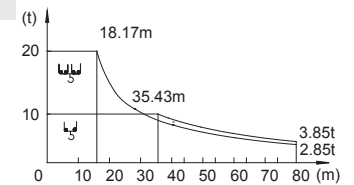
24t

R (m)	倍率 Fall	R(C <sub>max</sub> ) (m)	C <sub>max</sub> (t)	30	40	44	50	54	60	64	70	74	80
80	U	15.52	24.00	11.05	7.73	6.83	5.76	5.18	4.46	4.06	3.54	3.24	<b>2.85</b>
	U	30.09	12.00	12.00	8.72	7.83	6.76	6.18	5.46	5.06	4.54	4.24	<b>3.85</b>
74	U	15.52	24.00	11.05	7.73	6.83	5.76	5.18	4.46	4.06	3.54	<b>3.24</b>	
	U	30.09	12.00	12.00	8.72	7.83	6.76	6.18	5.46	5.06	4.54	<b>4.24</b>	
70	U	19.28	24.00	14.41	10.22	9.10	7.75	7.02	6.11	5.60	<b>4.95</b>		
	U	37.65	12.00	12.00	11.22	10.09	8.75	8.02	7.11	6.60	<b>5.95</b>		
64	U	19.28	24.00	14.41	10.22	9.09	7.74	7.02	6.11	<b>5.60</b>			
	U	37.63	12.00	12.00	11.22	10.09	8.74	8.02	7.11	<b>6.60</b>			
60	U	23.38	24.00	18.07	12.95	11.56	9.91	9.02	<b>7.91</b>				
	U	45.87	12.00	12.00	12.00	12.00	10.91	10.02	<b>8.91</b>				
50	U	23.39	24.00	18.08	12.95	11.57	<b>9.92</b>						
	U	45.90	12.00	12.00	12.00	12.00	<b>10.92</b>						
40	U	24.21	24.00	18.82	<b>13.50</b>								
	U	40.00	12.00	12.00	<b>12.00</b>								



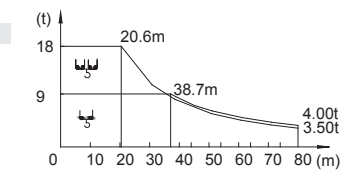
20t

R (m)	倍率 Fall	R(C <sub>max</sub> ) (m)	C <sub>max</sub> (t)	30	40	44	50	54	60	64	70	74	80
80	U	18.17	20.00	11.05	7.73	6.83	5.76	5.18	4.46	4.06	3.54	3.24	<b>2.85</b>
	U	35.43	10.00	10.00	8.72	7.83	6.76	6.18	5.46	5.06	4.54	4.24	<b>3.85</b>
74	U	18.17	20.00	11.05	7.73	6.83	5.76	5.18	4.46	4.06	3.54	<b>3.24</b>	
	U	35.43	10.00	10.00	8.72	7.83	6.76	6.18	5.46	5.06	4.54	<b>4.24</b>	
70	U	22.61	20.00	14.41	10.22	9.10	7.75	7.02	6.11	5.60	<b>4.95</b>		
	U	44.36	10.00	10.00	10.00	10.00	8.75	8.02	7.11	6.60	<b>5.95</b>		
64	U	22.60	20.00	14.41	10.22	9.09	7.74	7.02	6.11	<b>5.60</b>			
	U	44.35	10.00	10.00	10.00	10.00	8.74	8.02	7.11	<b>6.60</b>			
60	U	27.45	20.00	18.07	12.95	11.56	9.91	9.02	<b>7.91</b>				
	U	54.10	10.00	10.00	10.00	10.00	10.00	10.00	<b>8.91</b>				
50	U	27.47	20.00	18.08	12.95	11.57	<b>9.92</b>						
	U	50.00	10.00	10.00	10.00	10.00	<b>10.00</b>						
40	U	28.44	20.00	18.82	<b>13.50</b>								
	U	40.00	10.00	10.00	<b>10.00</b>								



18t

R (m)	倍率 Fall	R(C <sub>max</sub> ) (m)	C <sub>max</sub> (t)	30	40	44	50	54	60	64	70	74	80
80	U	20.60	18.00	11.74	8.40	7.50	6.42	5.84	5.12	4.71	4.19	3.89	<b>3.50</b>
	U	38.70	9.00	9.00	8.68	7.82	6.79	6.24	5.55	5.16	4.66	4.37	<b>4.00</b>
74	U	20.60	18.00	11.75	8.41	7.51	6.43	5.85	5.13	4.72	4.20	<b>3.90</b>	
	U	38.90	9.00	9.00	8.73	7.86	6.83	6.27	5.58	5.19	4.69	<b>4.40</b>	
70	U	25.60	18.00	15.07	10.88	9.75	8.40	7.67	6.76	6.25	<b>5.60</b>		
	U	49.10	9.00	9.00	9.00	9.00	8.82	8.11	7.23	6.74	<b>6.10</b>		
64	U	25.30	18.00	14.88	10.76	9.64	8.31	7.60	6.70	<b>6.20</b>			
	U	48.90	9.00	9.00	9.00	9.00	8.78	8.08	7.19	<b>6.70</b>			
60	U	30.70	18.00	18.00	13.35	11.98	10.33	9.44	<b>8.33</b>				
	U	60.00	9.00	9.00	9.00	9.00	9.00	9.00	<b>9.00</b>				
50	U	30.60	18.00	18.00	13.43	12.10	<b>10.50</b>						
	U	50.00	9.00	9.00	9.00	9.00	<b>9.00</b>						
40	U	30.60	18.00	18.00	<b>13.60</b>								
	U	40.00	9.00	9.00	<b>9.00</b>								



Topless STT553



YONGMAO HOLDINGS LIMITED

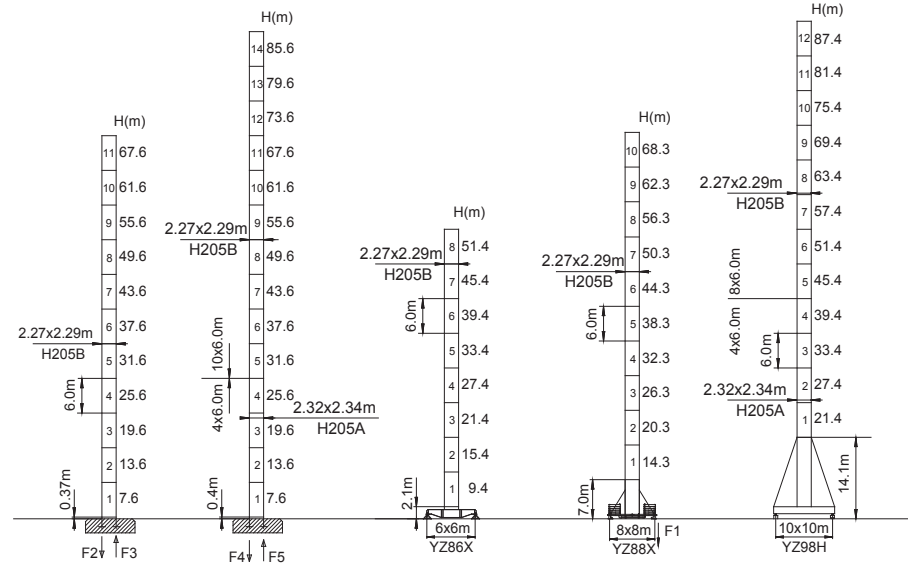


YONGMAO HOLDINGS LIMITED

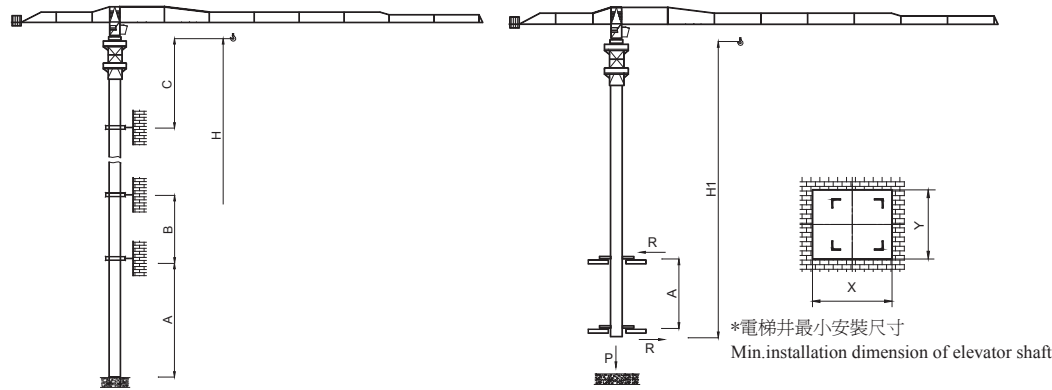
# STT553

## 24/20/18t

- 工作狀態支反力  
In service reaction
- 非工作狀態支反力  
Out of service reaction
- ⊗ 整機自由高度重量 (不含平衡重及壓重重量)  
Total weight of free standing crane  
(excludes counter weight & ballast.)



	●	■		●	■		●	■		
<b>F2</b>	312t	237t		<b>F4</b>	392t	364t		<b>F1</b>	137t	123t
<b>F3</b>	223t	163t		<b>F5</b>	301t	280t				
⊗	133t			⊗	154.9t			⊗	141t	



塔身節 Mast	A (m)	B (m)	C (m)	H (m)
H205B	57.0	42.0	52.6	235.6

塔身節 Mast	臂長 Jib length	H1 (m)	A (m)	P (t)	R (t)
H205B	80m	49.2	18	122	40

Topless STT553

# STT553

## 24/20/18t

### 主要性能參數 Specification

機構 Mechanism	●		●		電動機 Motor kW		
	m/min	t	m/min	t			
24t	90LFV60	0-38 0-46 0-72	12.0 10.0 4.0	0-19 0-23 0-36	24.0 20.0 8.0	550m >550m*	90
	90LFV60B						
	90LFV60DB1	0-40 0-96 0-160	12.0 4.0 1.0	0-20 0-48 0-80	24.0 8.0 2.0		
20t	75LFV50B	0-37 0-44 0-75	10.0 8.0 3.0	0-18 0-22 0-37	20.0 16.0 6.0	550m >550m*	75
	75LFV50DB1	0-32 0-96 0-160	10.0 3.0 1.0	0-16 0-48 0-80	20.0 6.0 2.0		
18t	75LFV45	0-38 0-46 0-76	9.0 6.0 3.0	0-19 0-23 0-38	18.0 12.0 6.0	550m >550m*	75
	75LFV45B						
	75LFV45DB1	0-40 0-96 0-160	9.0 3.0 1.0	0-20 0-48 0-80	18.0 6.0 2.0		
11DFV10	0-65 m/min						11
7.5RFCV	0-0.8 rpm						3x7.5
RTC435	0-0.8 rpm						3x145
RT	12.5-25 m/min						6x2.6/5.2

裝機容量 (cosΦ=0.8)	kVA	
380V (±5%) 50 Hz / 60 Hz	90LFV60, 90LFV60B : 155 75LFV50B : 135 75LFV45, 75LFV45B : 120	90LFV60DB1 : 180 75LFV50DB1 : 155 75LFV45DB1 : 140

\* ※ 與製造商聯繫 Contact us, please.

本技术参数不受法律约束, 技术信息请详见相应说明书。  
Specifications and data is not legally binding. For any technical information, please refer to the corresponding instructions



YONGMAO HOLDINGS LIMITED



YONGMAO HOLDINGS LIMITED

0 0  
1 1  
7 8

Topless STT553  
Topless STT553